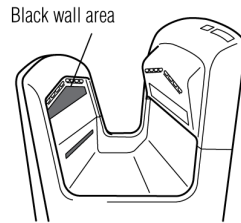


Cleaning of the hand drying area (Cleaning of the black wall area)

About once every week

1



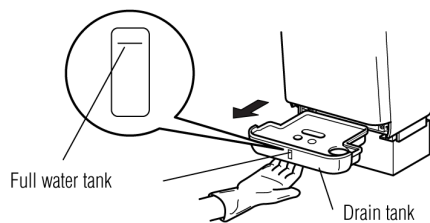
- Clean the outside face and hand insert area with a standard cleaners. Keep the “black wall area” clean in order to maximize sensor sensitivity.

Draining and cleaning the drain tank

Before it fills up (at least once a week)

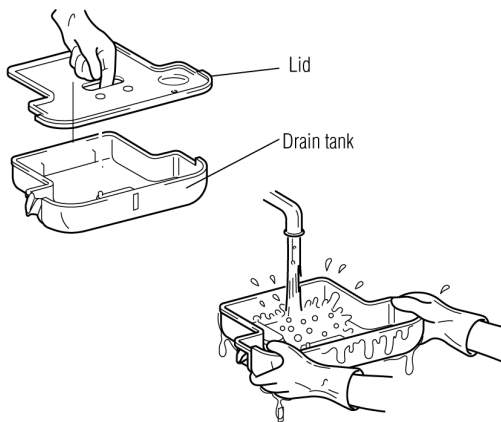
- The water blown off hands is called “drain water.”
- Empty the drain tank at least once a week so that it does not reach the full line.
- If the drain tank is not emptied it will start smelling.

2



Pull the drain tank out horizontally.

- Make sure the drain water does not spill out.



1. Open the lid and empty the drain water.
2. Wash out the interior of the drain tank.
3. Replace the lid and then the entire drain tank to its original location.
 - Fully insert tank into the Jet Towel

3



Pour 200ml (around 1 cup) of water through the drain hole. (To prevent it from getting clogged.)

- Do this only after checking that the drain tank is in place.
- After repeating operations several times, make sure to empty the water accumulated in the drain tank.