



Jet Towel[®] hand dryer
MODEL

JT-SB116EH-G-UL

120 VAC 60 Hz 9.8 Amps

INSTALLATION MANUAL

For installers

Hand over the enclosed instruction manual, limited warranty sheet and "How to Use" sticker to the customer.

Safety precautions

- Read this manual thoroughly before beginning installation to ensure the unit is installed safely and correctly.
- Failure to accurately follow the instructions may result in a malfunction of the unit, property damage, serious personal injury and/or death.
- MITSUBISHI ELECTRIC CORPORATION will not be liable for any result caused by failure to comply with the instructions.
- If you find any ambiguity in the instructions or have any questions, stop installation and contact your dealer or contractor.



WARNING

The following may lead to death or serious personal injury if performed incorrectly.

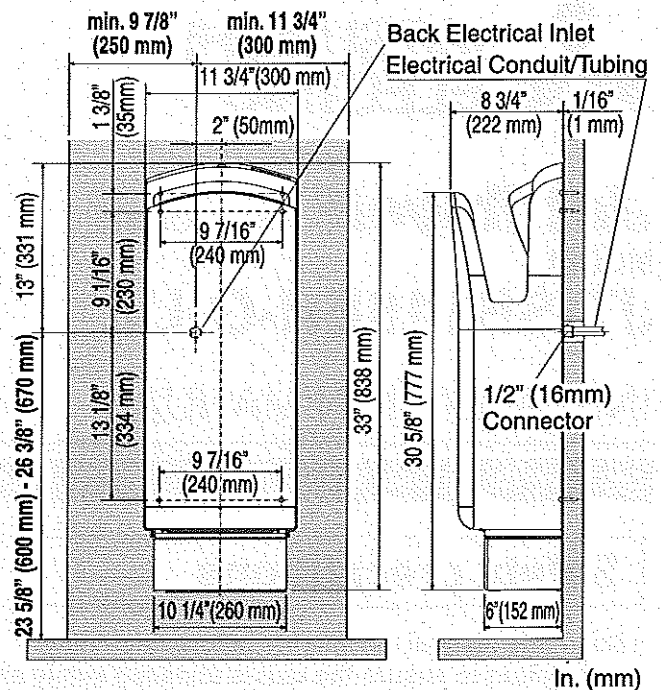
- All electrical installation should be performed by a qualified electrician.
- All electrical wiring should be installed in accordance with national, applicable state and local electrical codes.
- This hand dryer must have its own independent branch circuit using AWG #12 or #14 copper wire.
- The circuit should be equipped with a Ground Fault Interrupter and a 20 amp double pole circuit breaker for AWG #12 wire, or a 15 amp double pole circuit breaker for AWG #14 wire.
- Before beginning the installation, ensure the breaker is OFF to avoid the risk of electric shock.
- Check that the electrical supply corresponds to that shown on the rating plate.
- This hand dryer should be properly grounded.
- Wear protective clothing and safety glasses during installation.
- Do not modify or disassemble the hand dryer more than necessary.

Installation Precautions

- Do not install this hand dryer in the following locations:
 1. At elevations above 6,560 ft. (2,000 m).
 2. Where the ambient temperature will fall outside the range of 50 °F (10 °C) to 104 °F (40 °C), or 50 °F (10 °C) to 86 °F (30 °C) if the elevation is over 3,280 ft. (1,000 m).
 3. Where the relative humidity will exceed 5-95%, or where condensation will form due to rapid temperature changes.
 4. Where dust, salt, or metal particle densities are high.
 5. Where corrosive, neutral or reductive gases are present.
 6. Outside or in an area exposed to direct sunlight (or other strong light) or in direct moisture.
 7. Near a bath, shower or a swimming pool.
 8. An area subjected to vibration or pounding, e.g., on trains/vessels.
 9. Next to food, tableware or cooking appliances.
 10. In narrow hallways and behind swinging doors.
 11. Where vandalism is likely to occur.

Installation Precautions (Continued)

- Surface should be vertical, smooth, flat and strong enough to support the weight of this hand dryer.
- Verify that pipe work is not located behind the drilling area.
- Install the electrical conduit/tubing with a connector, trade size 1/2" (16 mm) at the correct height in accordance with applicable standards and guidelines.
- The back electrical inlet should be at least 23 5/8" (600 mm) away from floor, 11 3/4" (300 mm) away to the right and 9 7/8" (250 mm) away to the left from basins, corners etc.

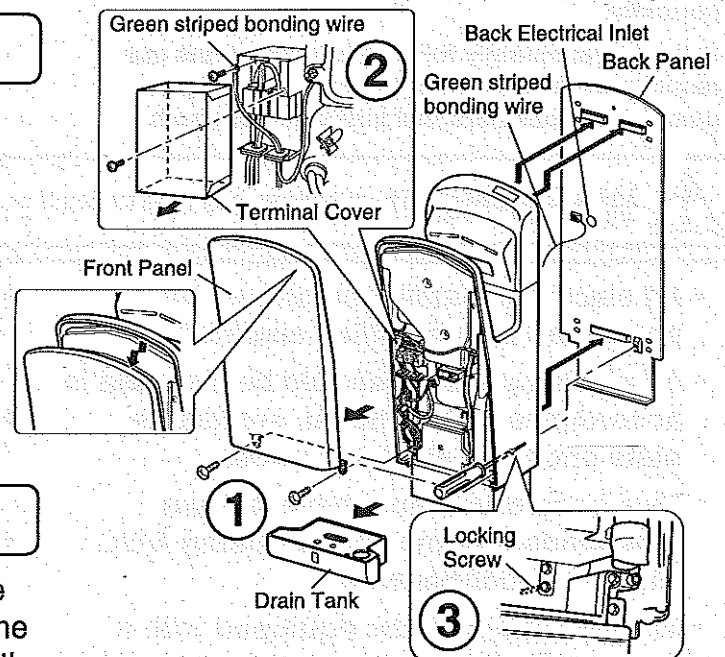


1. Removing the Back Panel

- ① Remove the drain tank, two screws and front panel.
- ② Remove the terminal cover and green striped bonding wire.
- ③ Remove the locking screw and the back panel.

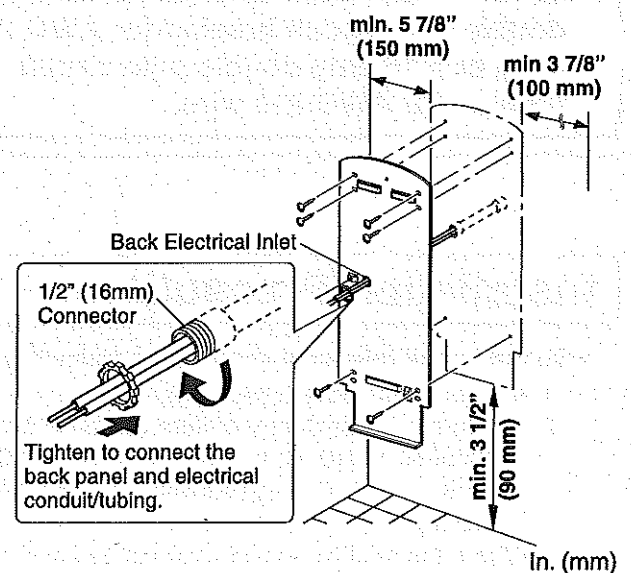
NOTE

- The green striped bonding wire comes off with the back panel.



2. Mounting the Back Panel

- ① Position the back panel on wall so that the back electrical inlet can be connected to the pre-installed electrical conduit/tubing with the 1/2" (16mm) connector.
- ② For plaster or drywall construction, position at least one side of the back panel holes over the wooden studs for better securement.
- ③ From the 8 possible hole locations on the back panel, mark the 6 drill hole positions on the wall and remove the back panel.
- ④ Drill the 6 holes and insert the enclosed self-tapping screws through the back panel and into the wooden studs. To secure the opposite side of the back panel, use 1/4" (M6) Toggle Bolts (not included) due to the heavy weight of the hand dryer. Do not use plastic anchors as they may be insufficient to support the weight.
- ⑤ For cement, brick or tile construction, use #12-14 Anchors (not included).
- ⑥ Securely tighten the 1/2" (16mm) connector for grounding as shown in the drawing.



3. Mounting the Unit

- ① Feed the electrical supply wires (AWG #12 or #14) and green striped bonding wire into the unit through the back. Be sure to allow at least 20" (510 mm) of wire to secure onto the terminal block in accordance with national, applicable state and local electrical codes.
- ② Place the unit against the back panel and slide down to hang the unit on the back panel.

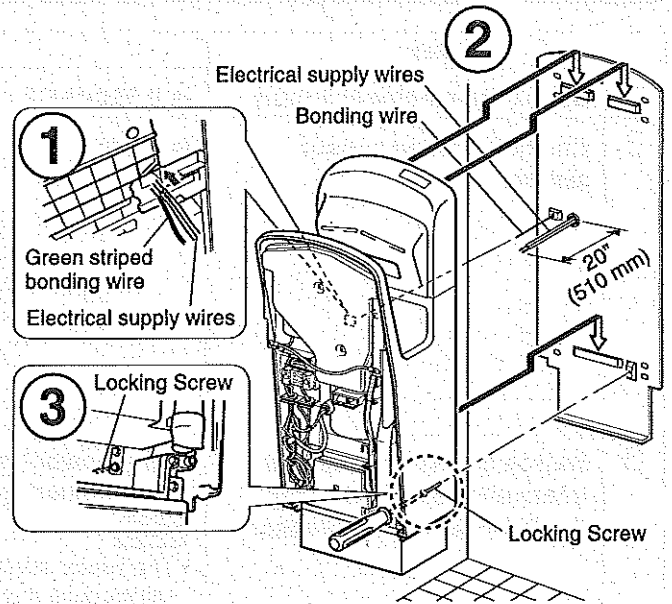
NOTE

- Pull the bottom of the unit towards you to check if the lower hook is secured to the unit.

- ③ Secure the unit using the locking screw.

NOTE

- If the bottom of the back panel is not mounted/aligned properly, the locking screw cannot be secured.

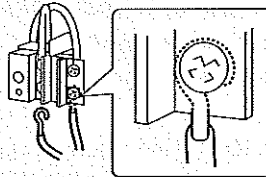


4. Connecting the Electrical Supply wires and Bonding wire

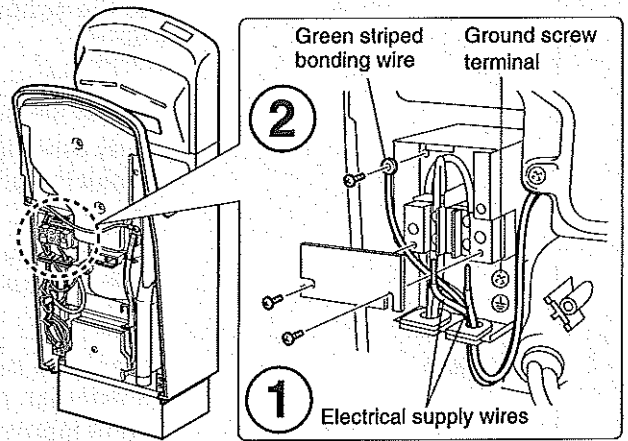
- ① Connect the electrical supply wires (AWG #12 or #14 solid or stranded copper wire) to the appropriate terminal block connections labeled L and N.

NOTE

- Wrap wires around the screw terminals as shown.
- Tighten to 11 lbf-in (1.2 N·m).



- ② Resecure the green striped bonding wire to its original location and tighten to 11 lbf-in (1.2 N·m).

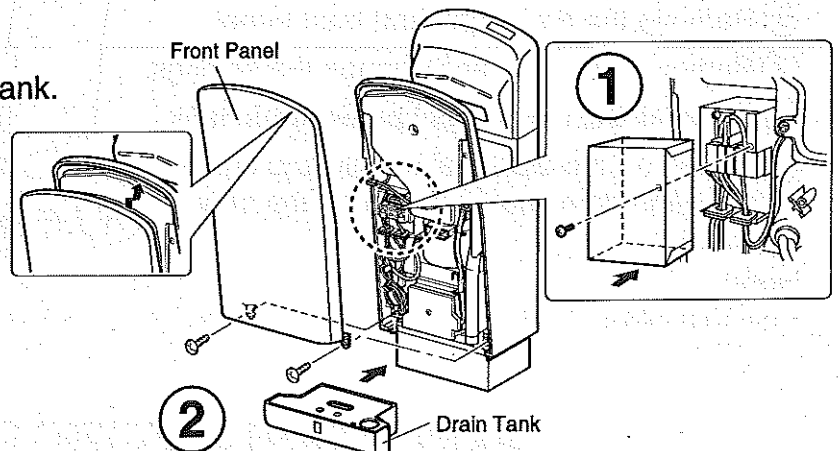


⚠ WARNING

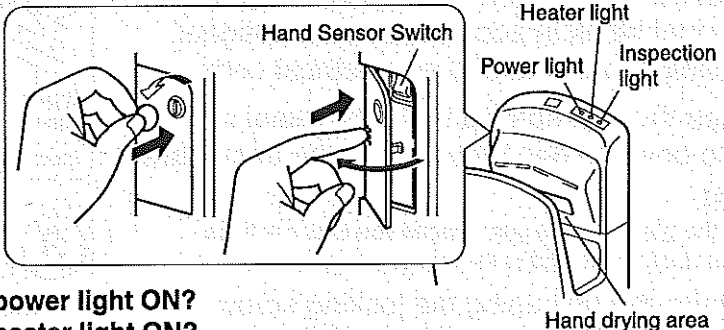
For non-metallic conduit, Ground wire must be connected to the screw terminal adjacent to Ground symbol.

5. Completion of installation

- ① Reinstall the terminal cover.
- ② Reinstall the front panel and drain tank.



Procedure

Step	What to check	OK
1 Check the electrical supply.	Is it 120VAC?	<input type="checkbox"/>
2 Check the hand sensor switch.	Is it ON? 	<input type="checkbox"/>
3 Switch on the ground fault interrupter and 20/15 amp double pole circuit breaker.	Is the power light ON? Is the heater light ON? NOTE <ul style="list-style-type: none"> The heater starts to store heat and will be ready in 30 minutes. The heater will produce a slight smell when using for the first time. Turn on the hand sensor switch and electrical supply without having anything in the hand drying area, including hands, because it interferes with the hand sensor initialization. 	<input type="checkbox"/>
4 Dry hands	Does the airflow start after inserting hands? Is the airflow warm? NOTE <ul style="list-style-type: none"> The airflow temperature is controlled at approximately 95 °F (35 °C), relatively lower than over 140 °F (60 °C) of typical conventional hand dryers. Any unusual sound or vibration? Does the airflow stop once hands have been withdrawn? NOTE <ul style="list-style-type: none"> If working improperly, turn off the electrical supply and wait for 1 minute to discharge electricity before turning on the electrical supply to reset the hand dryer. 	<input type="checkbox"/>
5 Complete	Hand the instruction manual and "How to Use" sticker over to the customer, and inform the customer of the location of the ground fault interrupter and 20/15 amp double pole circuit breaker.	<input type="checkbox"/>

Changing settings - Airspeed and Heater.

WARNING

Switch off the electrical supply with the breaker to avoid the risk of electric shock.

- Remove the drain tank and front panel.
- Remove the cover and change the settings.
- Reinstall the cover, front panel, drain tank.
- Switch on the electrical supply and check the hand dryer works based on the new settings.

NOTE

- The initial settings are Airspeed - High and Heater - ON.

