

# Mitsubishi Electric Jet Towel Recommended Installation Height for Americans with Disabilities Act (ADA)

## 1. ADA's requirement

### 4.2 Space Allowance and Reach Ranges.

#### 4.2.6 Side Reach.

If the clear floor space allows parallel approach by a person in a wheelchair, the maximum high side reach allowed shall be 54 in (1370 mm) and the low side reach shall be no less than 9 in (230 mm) above the floor (Fig. 6(a) and (b)).

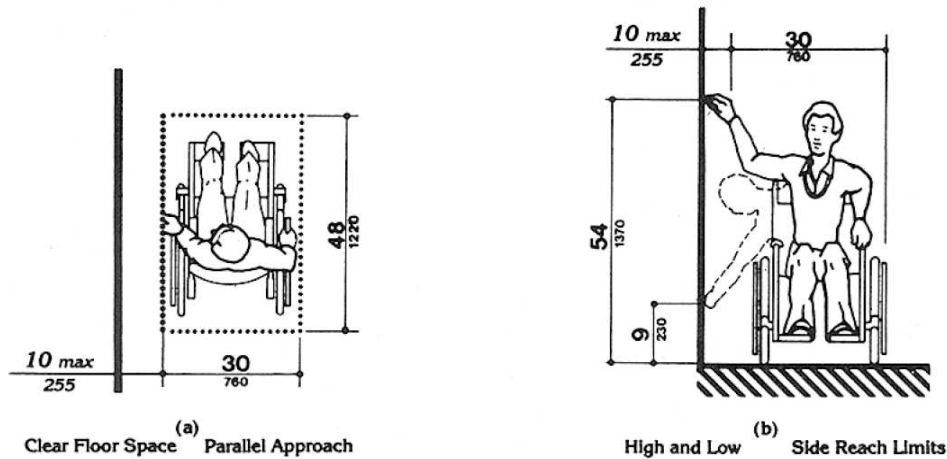


Fig. 6 Side Reach

## 2. Jet Towel Recommended Installation Height

